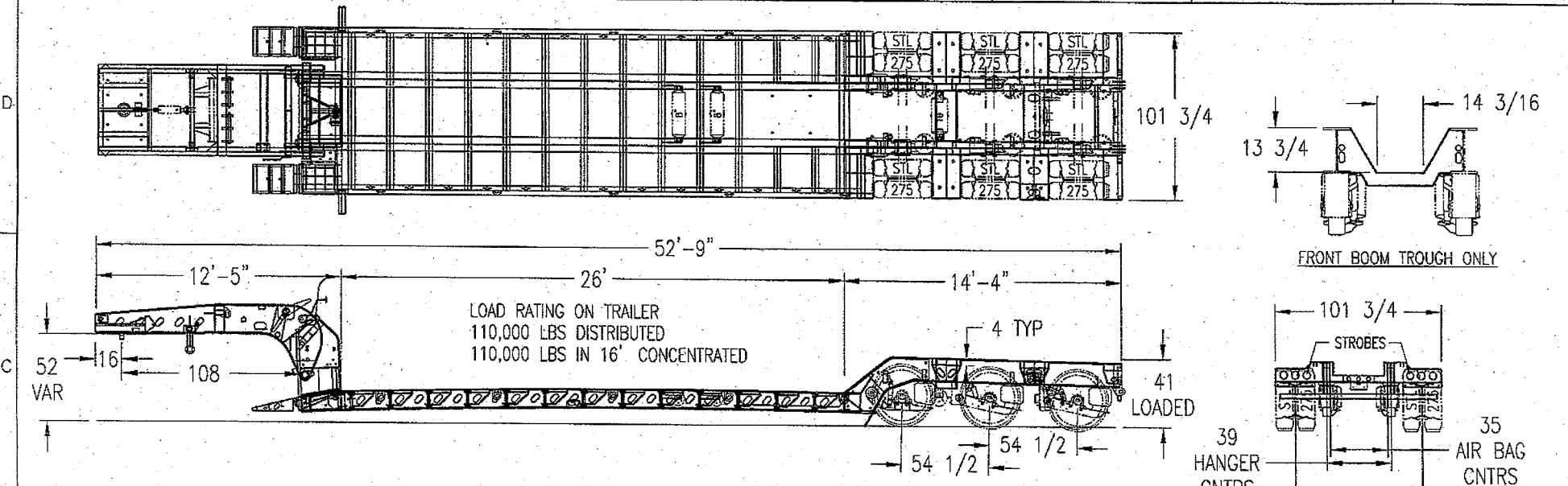
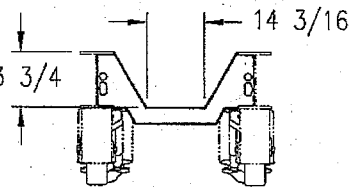


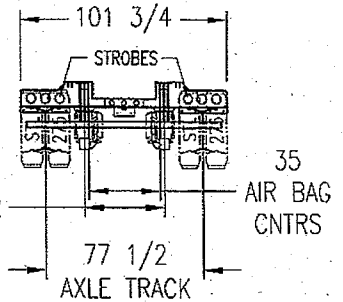
8 7 6 5 4 3 2 1



LOAD RATING ON TRAILER  
110,000 LBS DISTRIBUTED  
110,000 LBS IN 16' CONCENTRATED



FRONT BOOM TROUGH ONLY



UPPER DECK:  
WET KIT  
BASE COVER

*Tool Box w/Lid  
Base of Gooseneck*

MAIN DECK:  
18" LOADED DECK HEIGHT  
6" GROUND CLEARANCE  
2" (ACTUAL) RAISED APITONG DECKING  
CENTER DECK OPEN  
8" I-BEAMS ON 24" CENTERS  
HEAVY DUTY SWINGOUT REMOVABLE OUTRIGGERS ON 24" CENTERS  
HEAVY DUTY FRONT OUTRIGGER  
5 BENT D-RINGS PER SIDE  
BUCKETWELL AT REAR  
13 PAIR CHAIN SLOTS

WHEEL AREA:  
41" LOADED DECK HEIGHT  
NO ABS W/ SPRING BRAKES ON 1 AXLE  
275/70R/22.5 TIRES  
STEEL WHEELS  
OPEN WHEELS BOLSTER STYLE - DROPPED 4" FROM TOP OF FLANGE  
OPEN BOOM TROUGH - FRONT BOOM TROUGH DROPPED TO BOTTOM FLANGE  
EXTENDED FRONT TRANSITION

ADDITIONAL:  
PAINT: BLACK  
FRAME REINFORCEMENT, AIR AND ELEC FOR FLIP AXLE  
MANUAL RIDE HEIGHT  
LED LIGHTS  
2 STOP/TURN/TAILO LIGHTS  
4" AMBER STROBE TO BE USED AS THIRD TAIL LIGHT  
FRONT FLIP RAMPS  
RAISE AND LOWER VALVE AND LIQUID FILLED AIR GAUGE MOUNTED IN RS REAR BOLSTER  
AIR LIFT ON 3RD AXLE

DRAWING APPROVAL

This drawing is forwarded for your approval. Please check all dimensions before signing.

FIRM: \_\_\_\_\_  
BY: \_\_\_\_\_  
DATE: \_\_\_\_\_

NOTE: ALL DIMENSIONS SHOWN ARE IN THE UNLOADED CONDITION. DIMENSIONS WILL CHANGE SLIGHTLY DURING MANUFACTURING.

REV	DATE	DESCRIPTION	BY	APPROVED

**SPECIALIZED TRAILERS INC.**  
1086 South 3rd St.  
Manchester, IA 52057  
Tolerances:  
This drawing is the property of Specialized Trailers Inc. which owns proprietary rights in the method described. It is loaned in confidence for engineering information only and may not be copied or used for manufacturing of any other design without specific written permission of Specialized Trailers Inc.  
Ang. Tol: ±1/16  
Dim. Tol: ±1/16

**XL 110 HDGC  
RTL EQUIPMENT**

INITIALS	JT	DRG. NO.	Y40813	JOB NUM.	10924
SIZE	D	SCALE	1" = 1' - 0"	REV	IR
DATE	10/12/09	SHEET	1	OF	1
SUSPENSION	HENDRICKSON	TIRES	275/70R/22.5		

8 7 6 5 4 3 2 1